

Free Energy, Gravity and the Aether

by Dan A. Davidson

PO Box 1090

Sierra Vista, AZ 85636

520-378-6033

Abstract:

Over the years the existence and understanding of the aether has evolved as the basis for gravity and free energy effects at a micro and macro level.

Laboratory experiments have shown that superluminal energy and information transfer has been effectively accomplished via aetheric engineering, which effectively eliminates the theory of relativity and its absurd views of physics and cosmology.

The structure of the aether is summarized, as a superfluidic medium, including interrelationships of many of the basic universal constants describing physical phenomena with magnetic, electrical, and gravitic formulas.

The author summarizes experiments that he has carried out, as well as others. Also summarized will be the author's current view of where the maverick ("behind the scenes") science network has moved in engineering the aether.

The essence is that a worldwide, loosely associating group of engineers, physicists, chemists, and assorted garage shop experimenters have moved well beyond the stifling shrouds of the orthodox "science" community.

Experiments have proven that the aether exists, and that it is engineerable, even to the extent that gravity is controllable, free energy is possible, superluminal energy/information transfer is readily accomplished, and a plethora of new inventions in energy generation, transportation, and communication are now being engineered for the marketplace.

Introduction:

It is a pleasure to speak and write to such a distinguished group of scientists and engineers. I salute your courageous and forthright stand for truth in science and your valiant efforts to bring a measure of sanity back into physics.

As an confirmed aetheric scientist who has attempted to approach orthodox physicists, I appreciate your heroic efforts and pray God's blessing for us all. I am grateful to be able to give you some views on what I have discovered and where the real scientists are moving in development of THE new paradigm of physics.

In the following I use the term "aether" to distinguish it from the anesthetic, ether.

The Aether:

From my research over 35 years the existence of the aether is a reality. The experiments of Trouton and Noble, Sagnac, Michelson and Gale, Thirring and Lenze, and Fizeau all imply that the aether exists.

John Keely performed extensive experiments in engineering the aether including producing various gravity phenomena, controlled breakdown of matter into aether and then using the aether in experiments, etc.

My research and discoveries have led me to characterize the aether as follows:

1. A superfluidic particulate medium which pervades all space.
2. A medium, which in its various modes, is the building block of the physical universe.
3. A medium, which, in one of its modes, is responsible for gravity and inertia.
4. A medium which is controllable by our mind and can be manipulated by our thoughts.

5. A medium which can be controlled by geometric shapes.

This paper will cover aspects of 2 and 3, topic 4 I leave for a more suitable time and space and topic one I assert as a basic premise as I have not visited all space; however, inference leads one to this conclusion. Topic 5 will be touched briefly in this paper.

Charge:

The charge of matter is due to its interchange with aether. The electron as well as the other subatomic particles are basically self-sustaining vortices in a fluidic particulate aether.

Charge represents a difference in concentration of the aether between two points. Mass (i.e., atomic particles) is made of aether, aether continually flows into and out of the particles as vortices, and the charge is due to its being at a different concentration of aether at a point in time and space than the local aether concentration.

The electron is a vortex of aether caught in a rotating standing wave due to the vibrating flow of aether which flows into and out of the atom's nucleus.

The charge of an electron, the Rydberg constant, and gravitational constant are also derivable from simple fluid mechanics^{1,2} treatment of the aether. See Table 1 for a summary of the simple relationships of the basic atomic and electrical constants as derived using fluid mechanics and treating aether as a superfluidic particulate medium.

Atomic Structure:

Atomic structure builds according to the rules of geometry and the basic polarity of atomic particles. Polarities are the result of aetheric flows into and out of matter.

John Ernst Worrel Keely was the first sub-atomic physicist. His basic elucidation of atomic structure was derived from his development of the science of vibratory physics. One of his basic discoveries was that of the substructure of the proton³. He discovered it was a vortex made of three sub-nuclear particles, also vortices.

Further research led him to the idea that this three particle substructure continued down to smaller and smaller level of particles within each particle. Keely claimed to have learned to control the substructure 27 levels down from the basic proton. The Keely atom is depicted in a stylized format in Figure 1.

The first level of substructure was finally theorized in the orthodox community by Feynman in 1958. Keely's discovery antedated Feynman by over 60 years! Feynman called the three particles making up the proton quarks.

Gravity:

As summarized in Table 1, the gravitation constant as grad E correlates with the seminal work by T. Townsend Brown. Brown discovered that a capacitor will tend to move in the direction of the positive plate.

Apparent weight loss is the result when the plates are perpendicular to the local gravity gradient. This effect can be enhanced by making one plate much smaller than the other plate. This essentially forces the grad E to maximize.

It should be noted that grad E is independent of whether the field is AC or DC.

Experiments have shown that even with this enhancement the capacitor does not have all its apparent weight nullified and levitate.

The reason for this can be found again in the nuclear particle's relationship with the aether. Even though each atom is in constant resonance with the aether this resonance is not synchronized across the mass⁴. Each atom is doing its own thing, so to speak, and there is a random interchange with the aether with respect to all the nuclei.

Thus, when a grad E acts as an aether pump across the capacitor plates only a small portion of the atoms become synchronized to this aetheric flow so the entire mass

does not respond at the same time; therefore, all the atoms don't try and move at the same time. An interesting experiment suggested by Paul Stowe to test the grad E effect is shown in Figure 2.

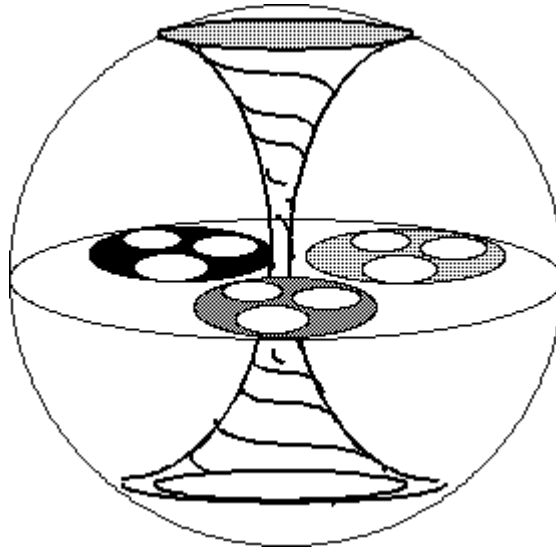


Figure 1. The Keely "Atom" Showing the Substructure of the Neutron.

Analysis of various apparently disconnected events where levitation was witnessed provides some important clues to a means of effecting synchronization of the nuclei. This was explained, in detail, in a paper by Davidson and Decker⁴.

Synchronization of the nuclei with the aether has been achieved by two main methods; namely, rotation or movement and sonically. Townsend Brown was quite open in publicizing his experimental results even though they were being funded in part by the Office of Naval Research out of San Diego.

However, when he started rotating his gravitors on their axis the results suddenly became classified and all information on his experiments ceased. It is suspected that major levitation resulted and this breakthrough was classified to protect the discovery so it could be exploited for national defense.

Analysis of the phenomenon of inertia provides the major clue to how rotation could act to synchronize the flow of aether into the nuclear sub-structure of the gravitors.

A seminal paper in Physical Review by Haisch, Rueda, and Puthoff theorizes that inertia is a result of mass's resistance of movement through the zero point energy (ZPE) field (i.e., the aether) because the mass, at the nuclear level, is linked directly into the aether.

Puthoff and his friends basically did a nice proof of what Keely stated, in 1896, that inertia was a result of the resistance of mass to the local aetheric field. Hence, it is easy to see that movement/rotation could cause the aetheric flows of the mass to reorient with respect to the direction of movement.

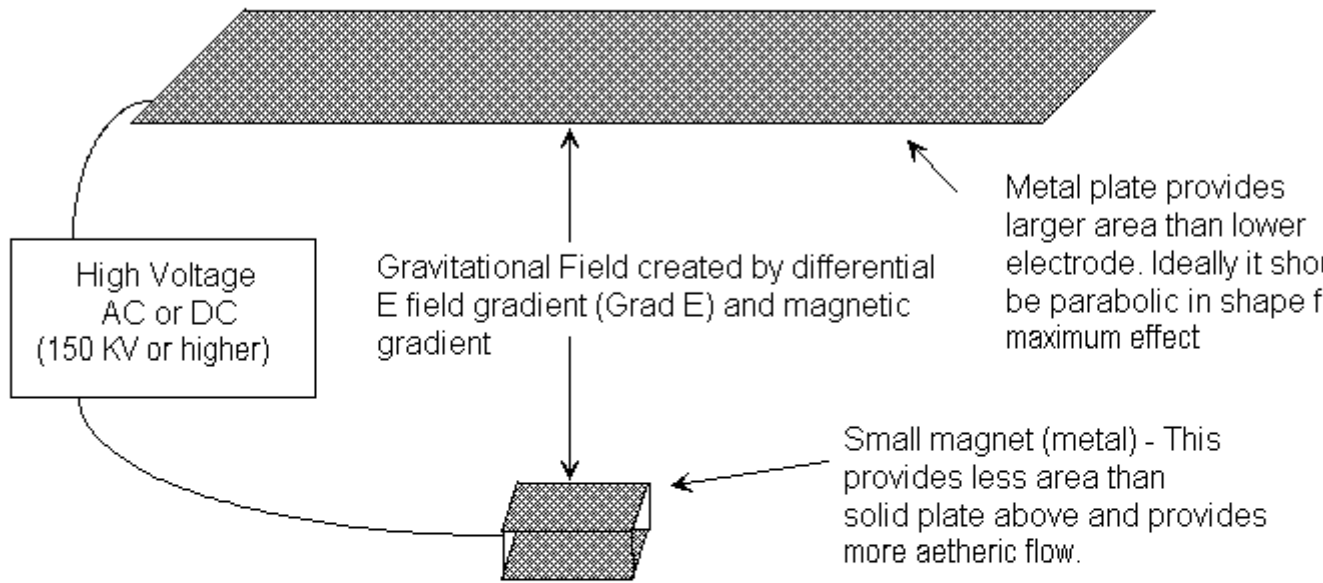
Sonic stimulation performs the same thing by getting all the atoms of the mass to resonate together which synchronizes aetheric flows into the nucleus. Several interesting levitation effects have been observed where sonic stimulation assisted in the levitation.

Table 1. Functional relations of fundamental units (from Paul Stowe's papers on gravity and electricity)

QUANTITY	NAME	RELATION TO KNOWN CONSTANTS	VALUE	UNITS	RELATED FUNCTIONS
q or Q	Elemental charge	$q = \frac{1}{2\pi\epsilon} \sqrt{\frac{h\epsilon}{3\mu}}$ $q = \frac{1}{2\pi\epsilon} \sqrt{\frac{h}{3\mu\epsilon}}$	+1.602E-19 - +1.60367E-19 -	$\frac{kg}{sec}$	q=DIV P Charge is local divergence of aetheric field
h	Plank's constant	$h = \frac{\sqrt{3}(2\pi)^2}{\epsilon}$	6.624E-34	$\frac{kg \cdot m^2}{sec}$	=1/137 fine structure constant
K _R	Rydberg's constant	$K_r = \sqrt{\frac{q}{2h}}$	10986593.8	m ⁻¹	graininess of aetheric particle field
v or λ	frequency of matter or wavelength (only for very light elements)	$v = \frac{q}{m}$ $\lambda = \frac{c \cdot m_p}{q}$	for hydrogen λ = 1.87E - 3 λ = 3.91m	hz m	λ _e for electron yields 2.739K λ _p for proton yields 1.64E-39K
V	volt	V = IR	variable	$\frac{m^2}{sec}$	measure of differential velocity in distance
R	resistance	R = $\frac{V}{I}$	variable	$\frac{m^2 \cdot sec}{kg}$	
I	current	I = $\frac{V}{R}$	variable	$\frac{kg}{sec^2}$	rate of change of charge (mass flow)
E	Energy	E = VI	variable	$\frac{m^2 \cdot kg}{sec^3}$	Energy = mass flow x voltage
m	Gauss		unity	m=CURL P where P = momentum or pressure	Magnetic field strength, magnetic fields are curl or rotation of aetheric field
T	Tesla		m^2		
ε ₀	permittivity of free space		8.854E-12	$\frac{kg}{m^1}$	density of the aether
μ ₀	permeability of free space	$\mu_0 = \frac{\sqrt{3}}{P}$	1.257E-6	$\frac{m \cdot sec^2}{kg}$	inverse energy density or inverse pressure of aetheric field

Put Table 1 here on Paul Stowe's equations. {Graphic stripped}

**ADVANCED TOWNSEND BROWN EFFECT PREDICTED BY PAUL STOWE
MATHEMATICAL HYDRODYNAMIC GRAVITATIONAL MODEL**



Experiment suggested by Paul Stowe (June 29, 1994)

1. With a difference in area between plates a gradient in voltage exists which is an artificial gravitation field
2. The aether is pumped in the local space between plates
3. Treats aether as hydrodynamic superfluid whereby AC or DC will work since direction of field does not affect direction.
4. Direction is determined by area of two plates.
5. Analogous to venturi (impulse or force direction is immaterial to flow direction)
6. Should be able to test weight of object in between plates and get difference with the high voltage turned on. Need 150,000 volts to get measurable effects.

Figure 2 Variation Of Townsend Brown Experiment To Test Grad E Effect

Levitation in Ancient Tibet:

Research into ancient religions reveals many startling levitation effects. One of the most detailed and interesting of these have been recorded by a competent witness.

A Swede, Dr. Jarl, who studied at Oxford became friends with a fellow student from Tibet. Several years later, in 1939, he was asked by his friend to go to Tibet to treat a high Lama. His Tibetan friend had risen to high rank at his Lamasery and Dr. Jarl was privileged to learn many things which most foreigners would never hear about.

On one occasion, his friend took him to a meadow which was surrounded by high cliffs to the northwest. About 250 meters up the face of the cliff there was a hole which looked like the entrance to a cave. A rock wall was being built in front of the cave by Tibetan monks. Access to the cave could only be achieved from the top of the mountain. 250 meters from the face of the cliff, facing the cave, was a polished rock slab with a bowl shaped depression in it. A block of stone, 1.5 meters long by 1 meter wide and 1 meter high was lowered into the depression by a team of Yaks and monks.

Monks with 19 musical instruments, consisting of 13 drums and 5 trumpets, were arranged in an arc of 90 degrees (see Figure 3) in front of the stone block. The instruments had the following measurements:

- (1). 8 drums were 1 meter diameter X 1.5 meters deep X 3mm sheet iron and weighed 150 kg.
- (2). 4 drums were 0.7 meter diameter X 1 meters deep
- (3). 1 drum was 0.2 meter diameter X 0.3 meters deep
- (4). All trumpets were 3.12 meters X 0.3 meters

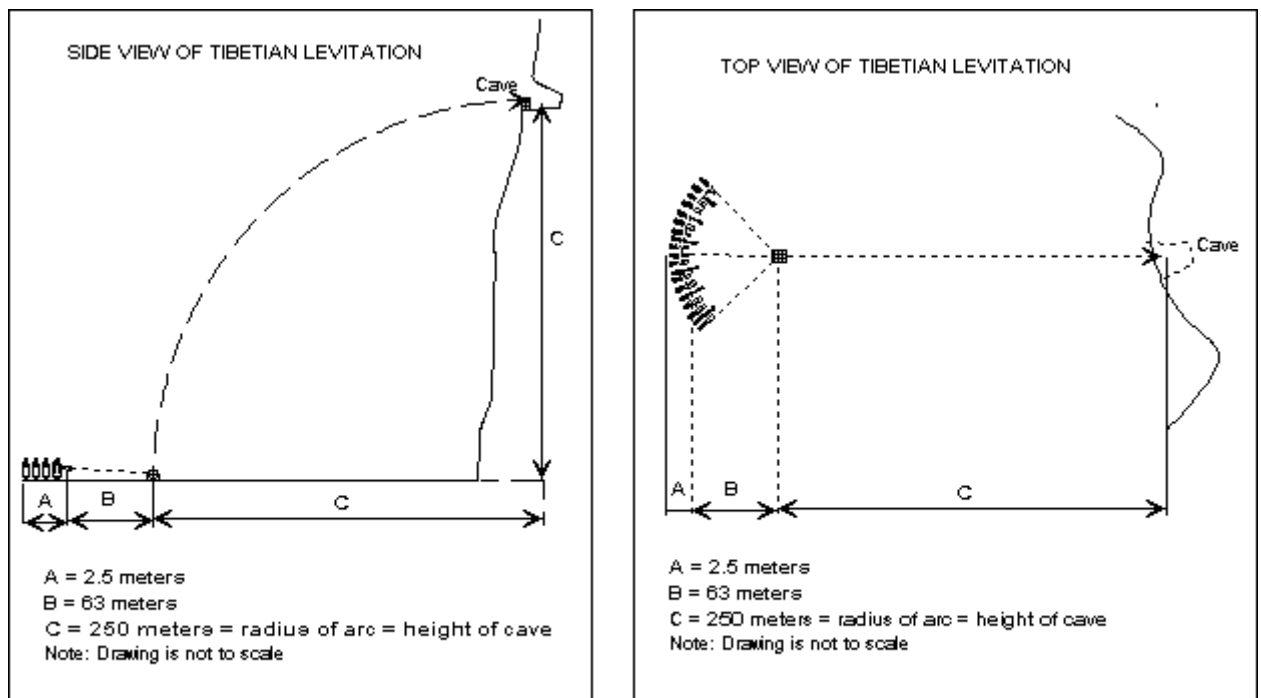


Figure 3 Geometry of Levitation in Tibet

All the drums were open on one end, mounted on poles, and aimed at the block of stone. The drums were beat by monks using a big leather club.

Behind each instrument was a row of monks. The monks started chanting and playing the musical instruments which lasted four minutes.

When the sound reached a certain level the large block of stone placed in front of them, occupying the focal point of the monks formation, majestically floated into the air and arched up to the construction site on the mountain above them where receiving monks guided the large block into place. The flight path of the huge stone took about 3 minutes.

This was not an isolated incident. The monks continued to perform this feat at the rate of 5 or 6 stones per hour. On occasion a stone was broken by the process which indicates that the sonic resonance forces are capable of destructive effects.

Calculations reveal that the volume of the large drums are similar to the stone block volume. The medium drums are one third the volume of the large drum and the small drum is a 41th of the medium drum and 125th of the large drum.

The exact volume of the large stone is not available; however, the harmonic relations of the drums implies it is about 1.5 cubic meters.

As to the trumpets, their length, 3.12 meters, is not a good indicator of its sound. Most trumpets are flared at the end so part of the trumpet is more for sound amplification than its frequency component. So, if the wave length of the trumpet is some harmonic of about 3 meters, then the trumpet produces a sound which is

the second harmonic of the large drums (i.e., 3 divided by 1.5 equals 2). Thus we see that the drums and trumpets are all harmonically tuned to the size of the stone being levitated.

Another interesting aspect of this levitation demonstration is the small amount of power necessary to perform the levitation. The loudest tolerable sound pressure that a person can stand is approximately 280 dynes/cm². From physics analysis⁹ this translates to about 0.000094 watts/cm².

If we assume that each monk with his instrument produced one half this much sound energy (which is highly unlikely) and we make the further gross assumption that this is the amount of power that reaches the stone (actually sound dissipates rapidly over distance), we would have about 0.01 watts (i.e., (19 instruments + 19 X 4 monks) X 0.000094) hitting the huge stone block. This is an astoundingly small amount of energy actually hitting the 1.5 cubic meter stone to produce the effect.

To lift the stone 250 meters takes a prodigious amount of energy. Rocks such as granite and limestone have weights in the neighborhood of 150 - 175 pounds per cubic foot.

If we assume a nominal value of 160 pounds per cubic foot then the 1.5 cubic meter stones weighed around 8475 pounds (i.e., over 4 tons!!!). To lift the 8475 pounds 250 meters would require about 7 million ft-pounds of work (i.e., 8475 pounds X 250 meters / 0.30408 meters/foot = 6,968,035).

Since this was done over a 3 minute period then about 70 horsepower was produced (i.e., 7 X 106 foot-pounds / 180 seconds / 550 horsepower/foot-pound/second = 70.384).

This is equivalent to 52 kilowatts (i.e., 70.384 X 0.74570 kilowatts/horsepower = 52.5). The over unity power factor we obtain is 5,250,000 over unity (i.e., 52,500 watts/0.01 watts).

The monks were obviously tapping into a huge amount of free energy to levitate the huge stone blocks or gravity requires little power to effects its operation once the principles are understood.

Movies taken by Dr. Jarl of the levitation were confiscated by the society he worked for and classified. Analysis of the geometric measurements, taken by Dr. Jarl, of the levitation situation reveals that the distances are related to the speed of light and other earth resonance phenomena.

Levitation of 4 Ton Iron Sphere:

After Keely's untimely death in 1898, several investigators from the "Scientific American" magazine staff went to Keely's laboratory looking for evidence to support the idea that Keely was a fraud³.

They thought they found what they were looking for when they lifted the floorboards of a section of the laboratory and found a large cast iron sphere from which protruded pieces of iron pipe but the pipes were not connected to anything.

The sphere was estimated to weight 6,625 pounds and have a bursting strength of 28,000 pounds.

This event revived the charge that Keely had used compressed air to perform his miraculous feats; which, if true, would have earned Keely a fortune from compressed air inventions.

Research, by a friend of mine, uncovered a newspaper article, written while Keely was still living, which tells the story of how the iron sphere got under the floorboards.

It seems the newsman who wrote the article had gone to see Keely for possible newsworthy information. He found the inventor in his laboratory tearing a large hole in the floor. Keely greeted the reporter but did not seem to be in a talkative mood as he appeared quite busy.

After enlarging the hole, Keely attached a strange belt with several mechanisms built into it to his waist. He then attached a thin wire leading from the belt to a large sphere resting in the corner of the laboratory.

After a few minutes of intense concentration by Keely the ponderous globe slowly lifted a few inches from the floor.

Keely then "floated" the iron sphere over the hole in the floorboards and allowed the huge mass to settle to the ground below the floor level.

After a few adjustments to the belt mechanism Keely again seemed lost in rapt concentration. This time the globe slowly but inexorably settled itself into the earth, buried by the opposite of levitation; namely, supergravity.

Keely had evidently caused the apparent mass of the sphere to increase to such an extent that it sank into the firm earth much as a heavy rock sinks into mud. The inventor told the reporter that he was making room in his lab by clearing away outmoded equipment.

It is theorized that the belt mechanism Keely wore during the levitation feat tuned the atomic structure of the iron sphere so all the atoms were synchronized and aetheric force directed through the sphere caused it to levitate or gravitate.

The Detection of Aetheric Gravity Flow Using Dielectrics:

By now it should be obvious that the larger the mass the more aether which flows into the atomic structure of the mass. Mass is both radiating and absorbing aetheric energy.

Other mass in the vicinity will cause perturbations in this aetheric flow. Because of this fact, aetheric flow detectors can be constructed by taking advantage of this principle.

My first working gravity or local aetheric stress/flow detector was demonstrated at the 1990 Extraordinary Science Conference in Colorado Springs, Colorado⁶.

The basic principle of the gravity detector is the fact that the electronic charge structure of a given mass is a function of the amount of aether flowing into the mass. The charge around the atom is governed by the amount of aether flowing into and out of the mass.

My reasoning was that dielectrics would make the best aetheric flow detector. Early success had been accomplished by Jerry Gallimore⁷ (circa 1975) and Townsend Brown⁸ (circa 1959) in using dielectric materials to detect local gravity effects.

In dielectrics the electronic charge is isolated and trapped within the dielectric material since the charge cannot flow and dissipate.

By using a high dielectric such as titanate zirconate or barium titanate the amount of charge change is directly readable by putting electrodes on each pole of a polarized dielectric.

My first detector circuit used a picoamplifier attached to the electrodes to amplify the signal. Then the voltage/current changes across the dielectric are easily measured directly by a voltmeter.

Figure 4 depicts the output of the gravity detector circuit as a graph of local gravitational stress (i.e., aetheric stress). The graph readily shows the daily swing of aetheric flow on the dielectric material as the sun and moon affects the earth's gravity field and gravity flows into the earth.

The data was taken during a solar eclipse and shows the effect of local aetheric field stress dropping during the period of the eclipse.

Experiments with the dielectric detectors showed they tend to be noisy and susceptible to temperature, light, and sound pressure. If you are going to experiment with this type of gravity detector be sure to isolate the dielectric from temperature swings, light and sound.

Greg Hodowanec did some experiments⁹ in 1986 and claimed success in detecting aetheric energies. He used an ordinary capacitor as a detector and an operational amplifier to boost the change in capacitance occurring in the capacitor.

Analysis of his data shows it does not correlate with any known phenomena. Hodowanec's detector should at least have tracked daily aetheric changes due to the effects produced by the sun and moon. My experiments with his detector showed it is highly susceptible to temperature changes and it is quite possible the data he published were temperature effects.

The Detection of Aetheric Gravity Flow Using DNC Coil:

In discussing my results of gravitational energies (i.e., aether stress flows) with a fellow gravity researcher, Joe Parr, he mentioned he had similar results with dielectrics and had accidentally discovered a better detector.

It was a strange coil to which he attached the moniker "Do Nothing Coil" (DNC). The DNC would detect the aetheric gravity flow without the bothersome temperature, photonic, and sonic noise effects.

Joe called the coil "do nothing" because it did not respond in any significant manner to magnetic or electrical signals from DC to about 300 Ghz. By accident he discovered that the coil's resistance changed during a 24 hour period.

Gravity Aetheric Stress Sensor
(Data from July 11, 1991 Solar Eclipse)

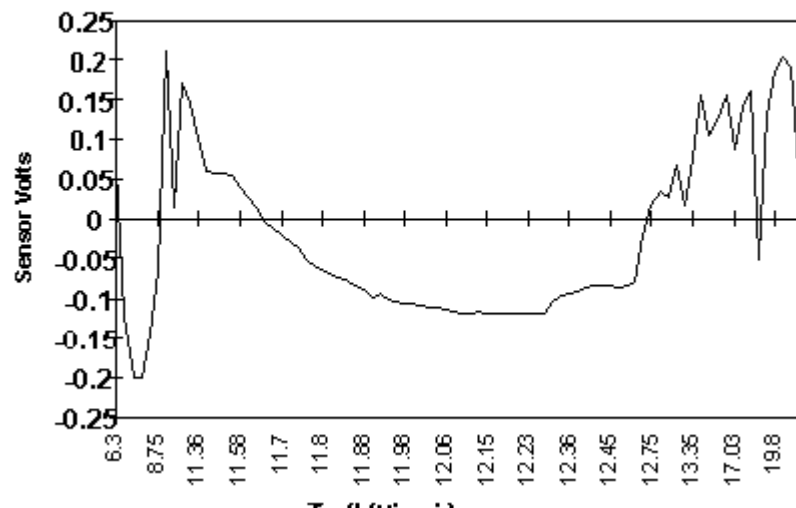


Figure 4. Gravity Sensor Data Example

The DNC coil consists of about 8000 turns of number 34 copper wire wound on a plastic hoop. In my duplication of the DNC coil I got a Hula Hoop and cut it open, removed the plastic noise maker beads, and shortened the tubing length to make a plastic loop 19 inches in diameter (i.e., center of toroid on one side to center of toroid in other side).

To wind the coil I set the coil form and wire and electrician tape on the coffee table in front of the TV set and whenever I was watching TV I would wind a couple of hundred turns on the loop and cover the turns with black electrician tape to keep the coil in place. After a couple of months I finally had wound the DNC coil. A BNC connector on the two ends of the coil completed the job.

Figure 5 shows the results of a few days of data taken with the DNC coil. The graph clearly shows the daily resistance changes. The change in resistance is a direct readout of the local aetheric stress flow changes.

Resistance changes in the coil because the atomic lattice electronic charge of the metal in the wire changes as more or less aether is flowing in the nuclei of the coils atoms. During the course of a 24 hour period the sun, moon, planets as well as the stars put differing stress levels on the earth's aetheric field which directly affects the flow rate into the nucleus.

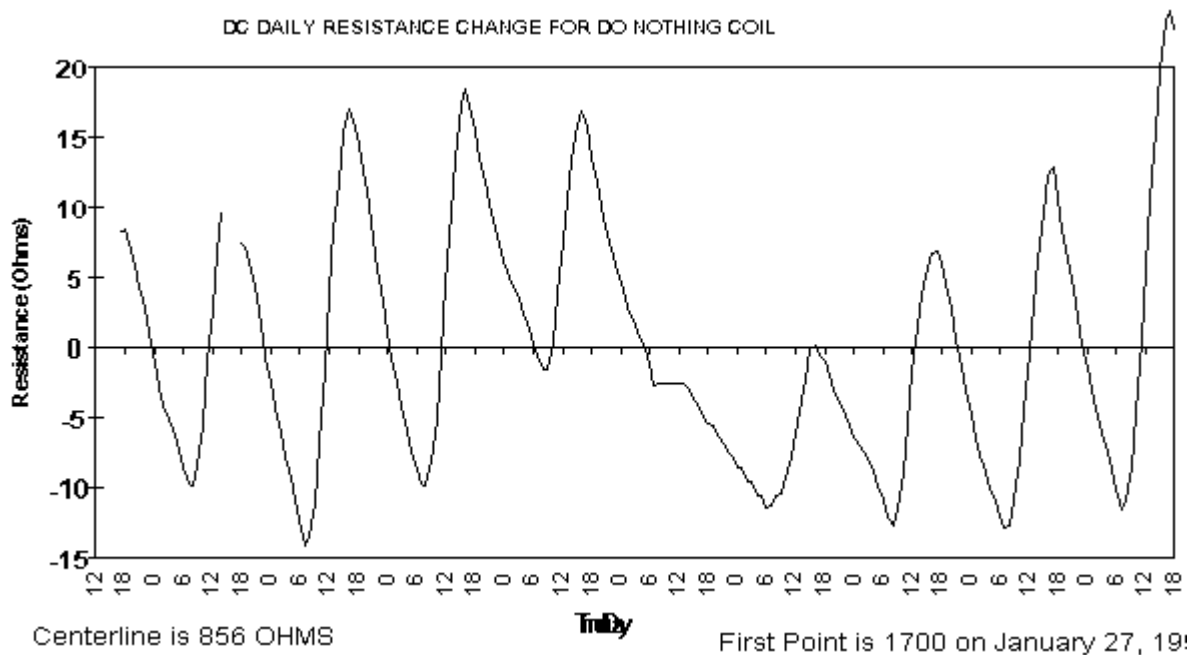


Figure 5. The DNC as a Gravity Sensor Example

The Parr Pyramid Gravity Experiments:

Another gravity sensor which Joe Parr has discovered involves the Great Pyramid and pyramid shapes in general. A static (i.e., non-moving) pyramid was aligned north-south/east-west and flat coils wound on audio tape reels were placed on the north and south side of the pyramid.

A spark gap made from a blown 1 microfarad capacitor was placed at the apex of the pyramid in series with a battery, resistor and chart recorder (see figure 6). The chart recorder registered daily changes in the energies around the pyramid.

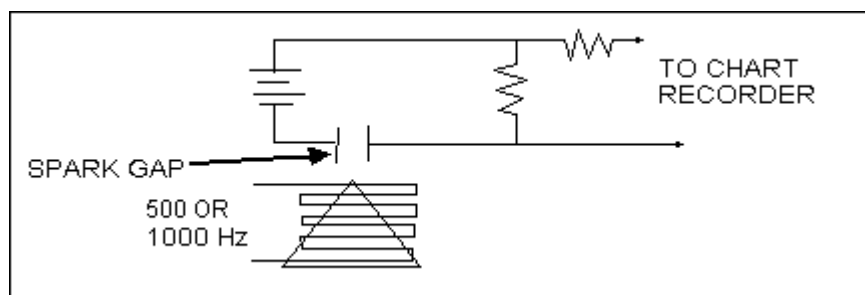


Figure 6. Gravitational Sensor Using Pyramid Shape

The chart recorder records the state of a bubble of energy which surrounded the pyramid.

The energy bubble over time had various levels of opacity to all types of radiation.

Experiments putting radio frequency emitters, radioactive sources - specifically beta emitters, magnetic sources, and ion sources all showed attenuation when in the energy bubble which surrounds the pyramid.

Intensive research over 13 years showed that the bubble could be fed negative ions and this would intensify the opacity of the bubble. At certain times of the year the energy bubble would totally block the force of gravity, nuclear radiation, and electromagnetic radiation. Another effect noted that the pyramid seemed to be resonant at 500 and 1000 Hz.

At one time during the 11 year sun spot cycle the static pyramid sensor went dead and quit providing data. In order to find another method of continuing the research the reasoning was that a moving sensor could possibly continue providing data. Joe

Parr built an elaborate experimental setup he named the "centrifuge". The centrifuge is illustrated in figure 7.

Extensive experiments with the centrifuge provided additional data on the pyramid energy bubble.

Positive ions in the centrifuge would cause the pyramid to be drawn to the moon. Negative ions in the centrifuge would cause the pyramid to be repelled away from the moon.

At certain times of the year (around December 8th-15th and May 8th-15th) the energy bubble around the pyramids in the centrifuge would become totally opaque to local gravitation and inertial forces and rip off the end of the centrifuge arm causing extensive damage to the interior of the centrifuge.

Detailed analysis of the amount of energy of the pyramid, when they ripped free, showed that an 8 gram pyramid had approximately 2000 pounds of force (i.e., 113,000 times increase in kinetic energy). It is hypothesized that the pyramid moves into a different time/space condition called h-space.

The centrifuge experiments also correlated with the static pyramid in that putting radio frequency emitters, radioactive sources, magnetic sources, and ion sources all were attenuated when in the pyramid energy bubble.

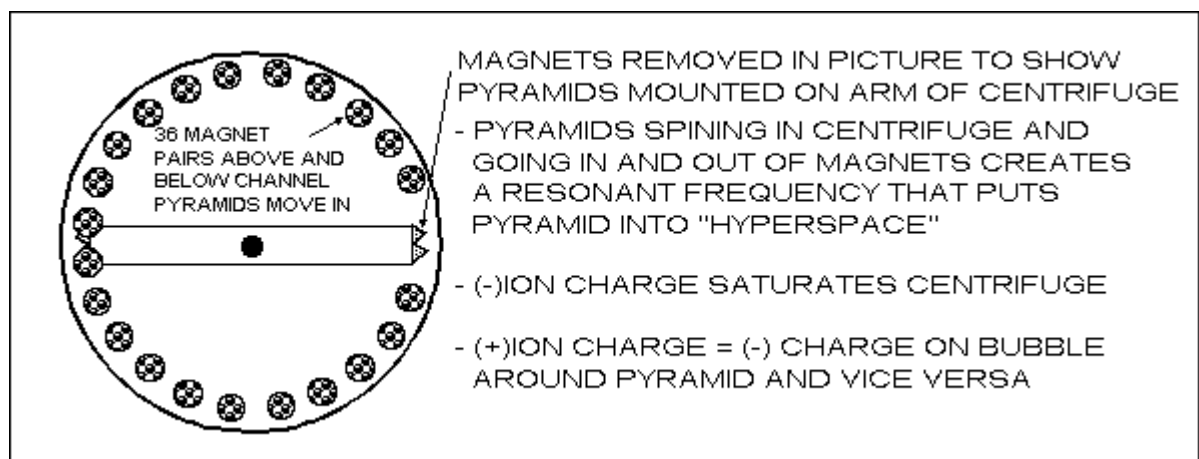


Figure 7. Parr Pyramid Centrifuge

The Parr Gravity Wheel Experiment:

Other research led Joe Parr to hypothesize that perhaps a three dimensional pyramid was not totally necessary. A new experiment was devised which replaced the large centrifuge with a small wheel mounted on a shaft and spun by a small high speed motor.

Around the periphery of the wheel are copper triangular shapes. When the motor spins the wheel the copper triangles move between permanent magnets mounted statically on either side of the wheel. This new experimental set up is depicted in figure 8.

The author had been following Joe Parr's experiments over a several year period and after Joe had some initial success with the new experiment the author, with Joe Parr's assistance, built a duplicate experiment.

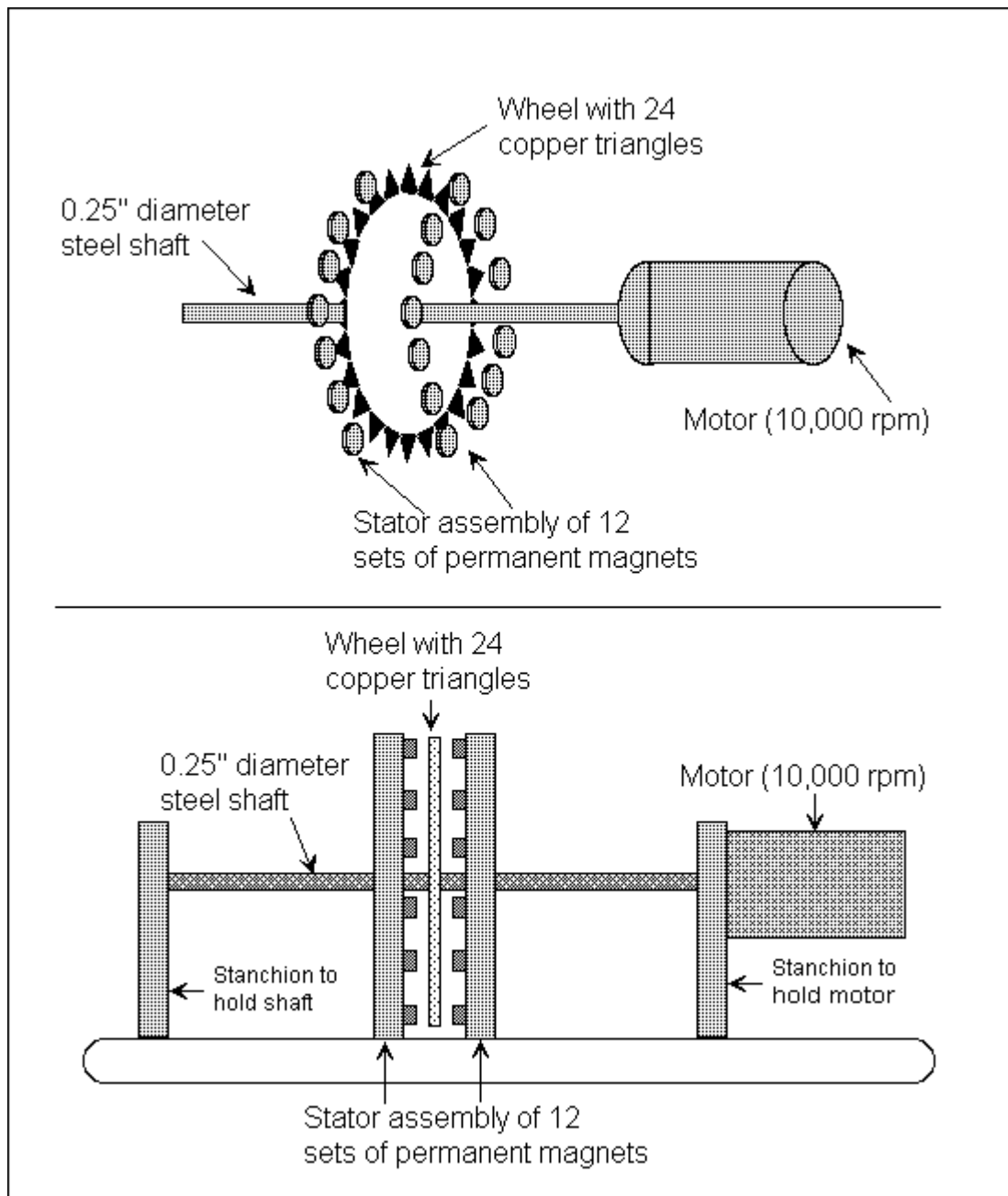


Figure 8. Parr Gravity Wheel Experiment Design

It took several months to get my version of the experiment to operate successfully. Tuning involved getting the experimental setup oriented properly and proper grounding. The shaft must be oriented east-west. A negative ion source is set within a few feet of the spinning wheel to feed the force fields which form around the copper triangles on gravity wheel.

The experiment is set on a delicate scale which measures accurate to 0.5 grams. The static weight of my experimental setup is about 1200 grams. Joe Parr's version is about 1800 grams. My experiment used machined maplewood to hold the motor and shaft, and the stanchions which hold the magnets and Parr's experiment was made of machined aluminum.

During experimental operations the weight of the experiment can drop from 0 to 6.5 grams. When one considers that the gravity wheel with the copper triangles weighs about 24 grams the total normal operational levitation effect is on the order of 25% weight loss. This by itself is a remarkable experimental effect and deserves acute attention.

The scale which is used in the experiment is an Ohaus Precision Plus purchased from Cole Parmer. The scale can measure accurately within 0.1 grams over a range of 0-4000 grams. The scale has an RS-232 serial interface which allows the scale to be interfaced to a printer or computer.

The scale outputs the weight continuously except when there is a scale upset. The upset weight can be varied and it was set at the maximum of 5 grams. This means that if the scale weight is changed more than 5 grams within a couple of milliseconds then the RS-232 interface stops outputting the weight.

My preliminary hookup of the scale was to a computer; however, the intense forcefield which builds up around the experiment destroyed two computer interface cards. Since the RS-232 interface stops outputting data on a scale upset, the serial output of the scale was converted to a voltage level and used as an indicator.

When the voltage drops, a scale upset has occurred. The voltage level was/is interfaced into a pulse counter. This provides a count of scale upsets greater than 5 grams. Figure 9 is a graph over time of scale upsets. This shows the count of when the gravity wheel changed weight over 5 grams. If the 6.5 gram weight loss is added to the 5 gram upset, we are looking at about a 50% weight loss of the gravity wheel. Joe Parr's data showed a correlated hit with my experiment's data on April 11th.

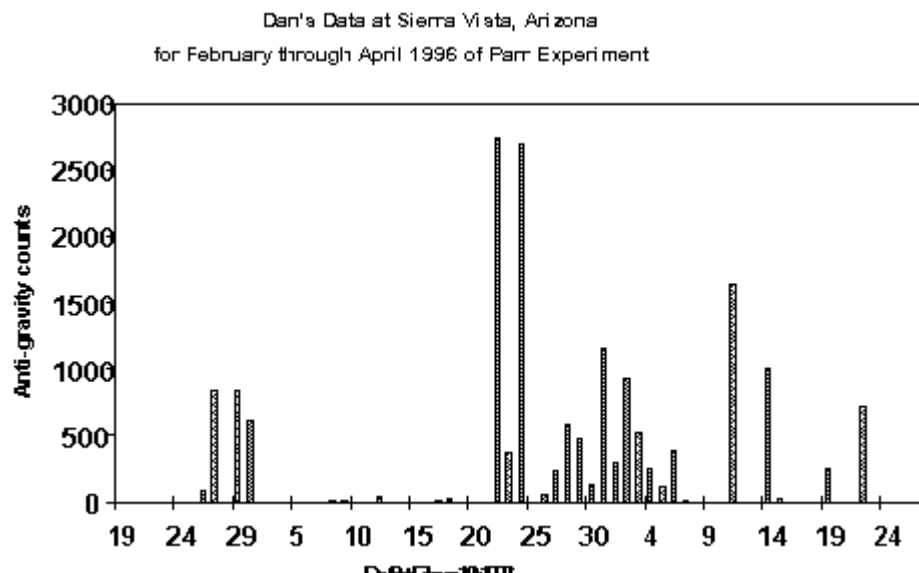


Figure 9. Data from Dan Davidson's Gravity Wheel Experiment

There are two basic types of force fields built up in and around the experiment. There is an ovoid shaped forcefield around each of the copper triangles.

When these small force fields build up in intensity they cause a drag on the motor which can be plainly heard in the lab. There is a larger forcefield which builds up around the entire experiment setup.

Independent tests with a clairvoyant, a clairsentient, and a dowser all verify the large force field around the experimental setup. Figure 10 depicts the approximate shape of the large force field.

What seems to be happening is the earth moves through energy conduits which go from our sun to other planets and star systems. When the gravity wheel experiment crosses one of these energy conduits, the forcefield around the copper triangles intensifies to the extent that the bubble starts moving either toward the conduit or away from the conduit very rapidly and a scale upset occurs.

Attempts at simulating the energy conduit thus far have failed. We are in the process of evaluating the data and we have found some correlation with planetary and stellar conjunctions where the earth gets lined up with other planets or stars and our sun.

The data analysis is currently in its infancy so we can make no statements of solid fact other than that we are getting some very impressive gravitational effects.

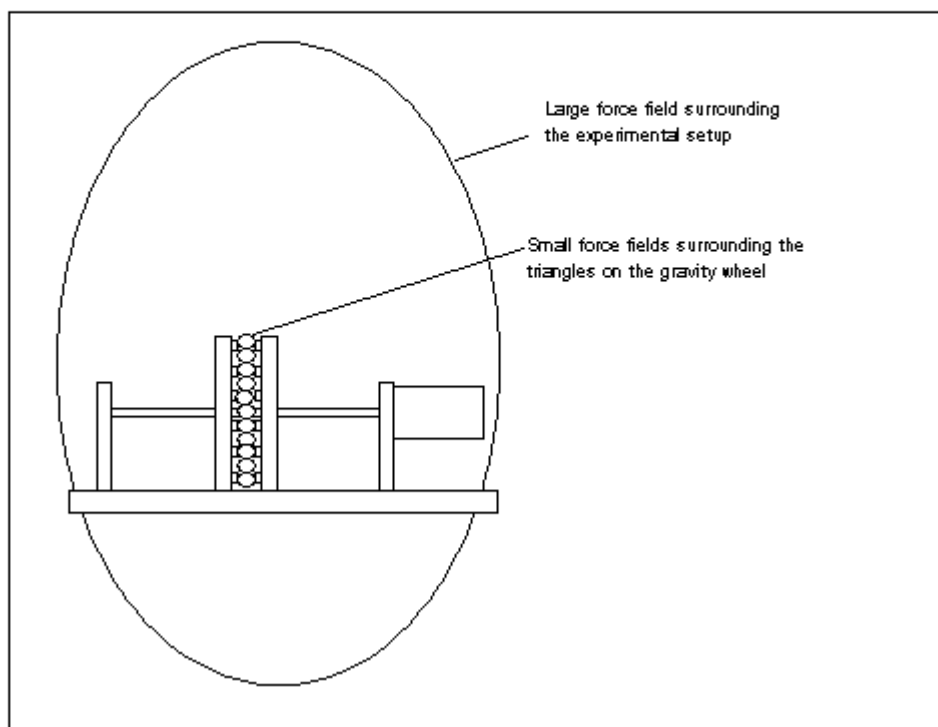


Figure 10. Ovoid Forcefield Around Gravity Wheel Experiment and Small Energy Bubbles Surrounding each of the Triangles of the Gravity Wheel

The Current State of the Unorthodox Science Community:

What is happening in the science community is a number of scientists from all branches of science and engineering have become disillusioned with the suppression of scientific information within the orthodox science community.

Many disillusioned scientists, engineers, and technicians, have taken to doing experiments on their own to prove or disprove ideas and theories not acceptable to the orthodox community. These experimenters are proving concepts which are, in some cases, far beyond where currently accepted science is at the present time.

The following summarizes a few of the breakthroughs of what I believe the "underground" science community has achieved and its current status.

- 1. Superluminal energy transmission - demonstrated at the 1988 International Tesla Symposium¹⁰. This effectively negates Special and General Relativity. There are many other examples of superluminal effects; however, its nice to see someone has got it down to being able to demonstrate it. Tesla proved superluminal effects during his experiments at Colorado Springs also.**
 - 2. Working free energy devices - examples are the Floyd Sweet VTA, the Hyde electrostatic OOU motor (claimed but not demonstrated), the Patterson Cold Fusion cell, and the Takahashi magnetic motor. There are also well documented cases of historical free energy devices. In a myopic view these devices negate the basic tenets of thermodynamics; however, with the view of a universal energy rich aether as part of the equation there are no truly closed systems and thermo's second law still applies. We merely have energy exchange with the aether.**
 - 3. Demonstrated anti-gravity effects - Joe Parr Gravity Wheel and the Floyd Sweet VTA in special mode goes anti-gravitic.**
 - 4. Low energy transmutation of atomic elements - Dr. Backrus (Texas State University) cold fusion and transmutation experiments, Joe Champion's precious metal synthesis, Kervan's "Biological Transmutation of the Elements" ¹².**
 - 5. Ball lightning production - demonstrated at the 1992 International Tesla Symposium by Dr. Corum (Professor of Electrical Engineering at West Virginia University) ¹³.**
 - 6. Conversion of EM to a pure aetheric stress wave and transmitted energy in this mode efficiently and effectively - John Bedini ^{14, 15}.**
 - 7. Developed detectors which detect non-hertzian energies - Dan Davidson and his dielectric gravity wave detector, Joe Parr and his DNC, Parr and Davidson and the gravity wheel experiments, Gallimore and his dielectric gravity and aetheric stress detectors.**
 - 8. The current status is that there are now estimated to be 2000 -3000 active, science experimenters world wide doing unorthodox research and experiments on technologies beyond the currently accepted paradigms of science. We now have our own symposiums and conferences (about 10 of these per year). We collaborate, trade information, and communicate over the computer networks (i.e., the internet and BBSes) and normal mail systems. Many of us have pretty much given up on the orthodox "science" community and we are cutting our own path into new vistas of science and technology. We echo the refrain - "to boldly go where none have gone before".**
 - 9. Where we are going - It is my firm opinion that we are on the verge of a major revolution in science and technology. In almost every area of scientific endeavor we have major breakthroughs happening regularly. If you thought that science and technology took some major leaps in the last 50 years you haven't seen anything yet. When any one of the above discoveries becomes well known the positive effects on our civilization will defy description.**
-

Conclusion:

The beauty of these discoveries is that they are all interrelated so a synergistic effect will be produced whereby a breakthrough in one area will vastly improve our understanding in other areas.

For example, a breakthrough in gravitational physics will provide a deeper understanding in nuclear physics, free energy production, superluminal energy production, aetheric engineering, etc.

Again, I salute you for your stand for truth and openness in science.

Thank you for listening and "may the aether be with you"!

Dan A. Davidson

Bibliography:

1. Paul Stowe, A Definition of Electric Charge, private paper, May 2, 1993
 2. Paul Stowe and Barry Mingst, The Cause of Gravity, private paper, April 28, 1991
 3. Dan Davidson, "Free Energy: Breakthroughs to New Free energy Devices", copyright 1977, ISBN 0-9626321-0-4, RIVAS, P.O. Box 1090, Sierra Vista, AZ 85636.
 4. Dan Davidson, Jerry Decker, Mass Resonance - Another Antigravity Secret, Copyright Dan A. Davidson December 1994, published in Extraordinary Science magazine, Apr/May/Jun 1995.
 5. Bruce Cathie, Acoustic Levitation of Stones, from the book "Anti-Gravity and the World Grid" by David Hatcher Childress, Adventures Unlimited Press, Box 22, Stelle, IL 60919, ISBN 0-932813-03-8.
 6. Dan Davidson, Dielectrics as Gravity Detectors, copyright 1991 by author, paper given at 1991 Extraordinary Science Conference, Colorado Springs, CO.
 7. J. G. Gallimore, "Transverse Paraphysics", copyright 1982 by author, ISBN 0-9603536-4-X.
 8. T. Townsend Brown, laboratory notebook
 9. Gregory Hodowanec, Rysmonics, April 1986, Radio Electronics.
 10. Alexis Guy Obolensky, The Mechanics of Time, 1988 International Tesla Society, 4-25 through 4-40.
 11. Joe Champion, "Producing Precious Metals At Home", 1994, ISBN 1-884928-32-3
 12. Louis C. Kervran, "Biological Transmutations", ISBN 0-913010-02-0, 1972, Swan House Pub Co., P.O. Box 638, Binghamton, N.Y. 13902
 13. Dr. James Corum, Tesla and the Magnifying Transmitter, 1992 International Tesla Society, pp 55-78.
 14. John C. Bedini, "Bedini's Free Energy Generator", Copyright 1984, ISBN 0-914119-01-X.
 15. Eike Mueller, "Experiments With A Kromrey and A Brand-Tesla Converter", Copyright 1984.
-